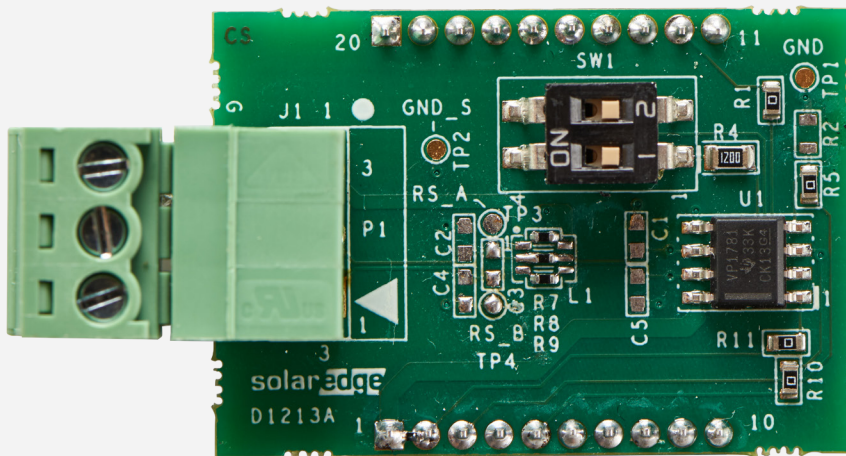


RS485 Plug-in for Europe & APAC

SE1000-RS485-IF



Expanding Wired Connectivity

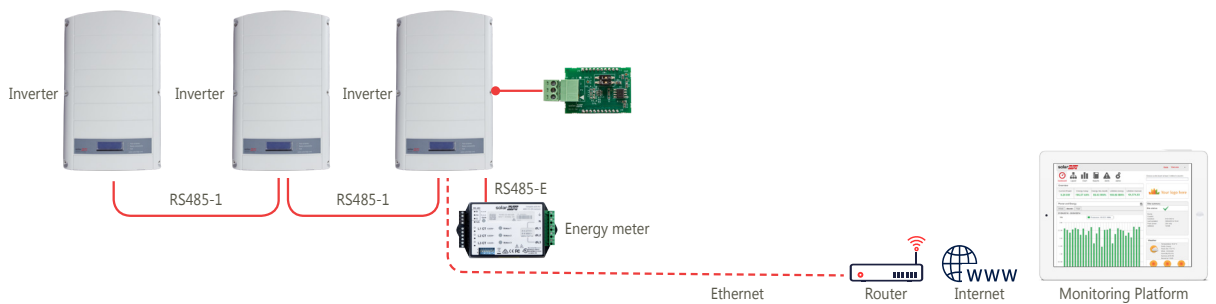
- Provides an additional RS485 port for enhanced communications
- Located within the inverter enclosure for outdoor protection
- Suitable for installation in the Commercial Gateway
- Reduces labor cost with simple and quick installation
- Allows daisy chain configuration of multiple RS485 buses for communications in commercial installations

/ RS485 Plug-in for Europe & APAC

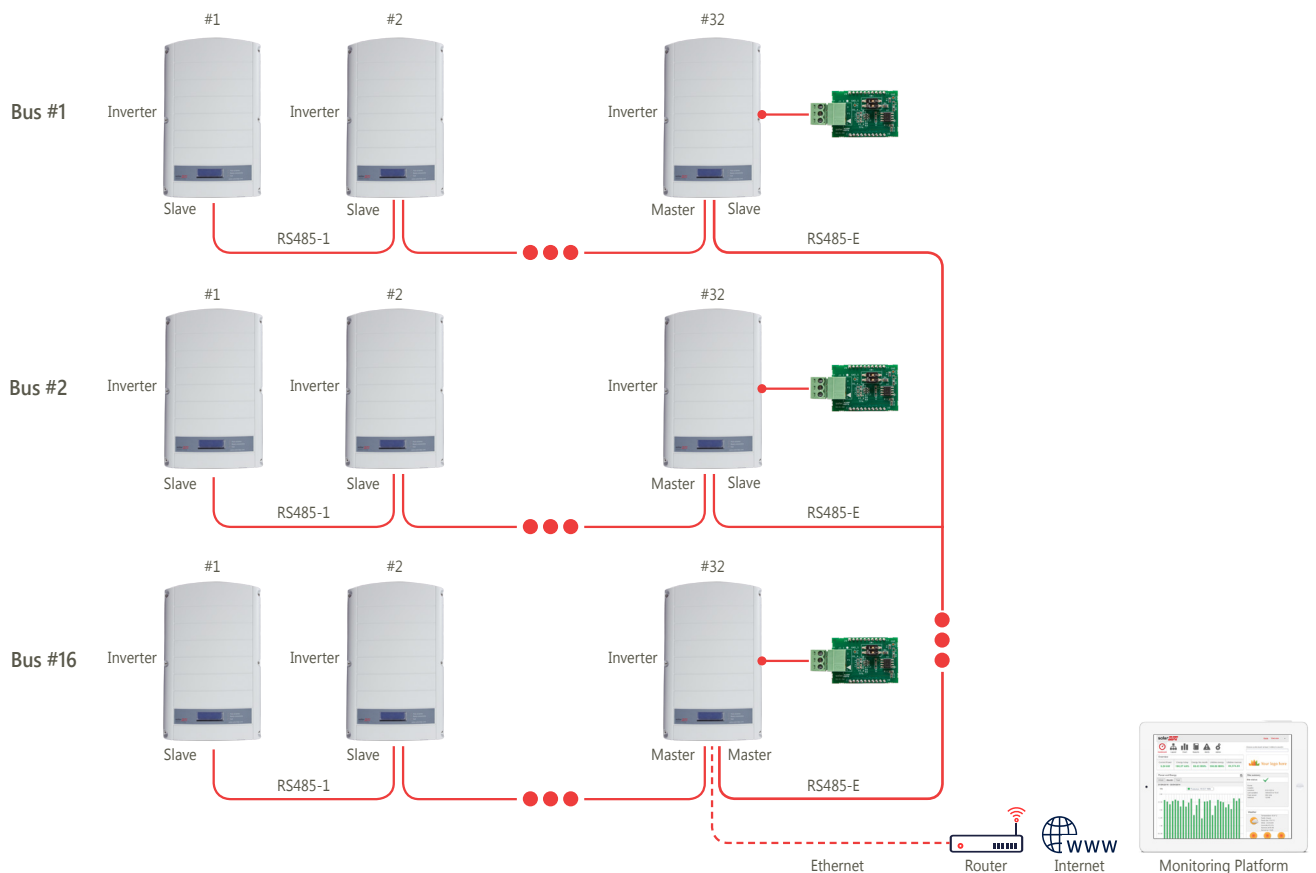
SE1000-RS485-IF

Compatible Inverters	SEXXX-XXXXXNXXX (Inverters with a Display)	UNIT
	SE1000-RS485-IF	
FUNCTIONAL		
Maximum number of slave inverters connected on the RS485 bus	31	
Maximum number of interconnected RS485 buses	16	
Maximum number of Smart Energy Management devices on the RS485 bus	Up to 1 Battery; Up to 2 Meters	
Maximum RS485 cable length	1000	m
INSTALLATION SPECIFICATIONS		
Dimensions (L x W)	33 x 25	mm
Operating temperature	-40 to +85	°C

Connecting a multiple inverter system to external devices



Connecting large commercial installations



© SolarEdge Technologies, Ltd. All rights reserved. SOLAREEDGE, the SolarEdge logo, OPTIMIZED BY SOLAREEDGE are trademarks or registered trademarks of SolarEdge Technologies, Inc. All other trademarks mentioned herein are trademarks of their respective owners. Date: 08/2019/V01/ENG ROW. Subject to change without notice.

CE RoHS



Distributeur: VDH Solar Groothandel B.V.

Finlandlaan 1, 2391 PV Hazerswoude-Dorp, Holland | +31 (0)172 235 990

info@vdh-solar.nl | www.vdh-solar.nl